



## No Return Valve Combo/Metal

### Specifications

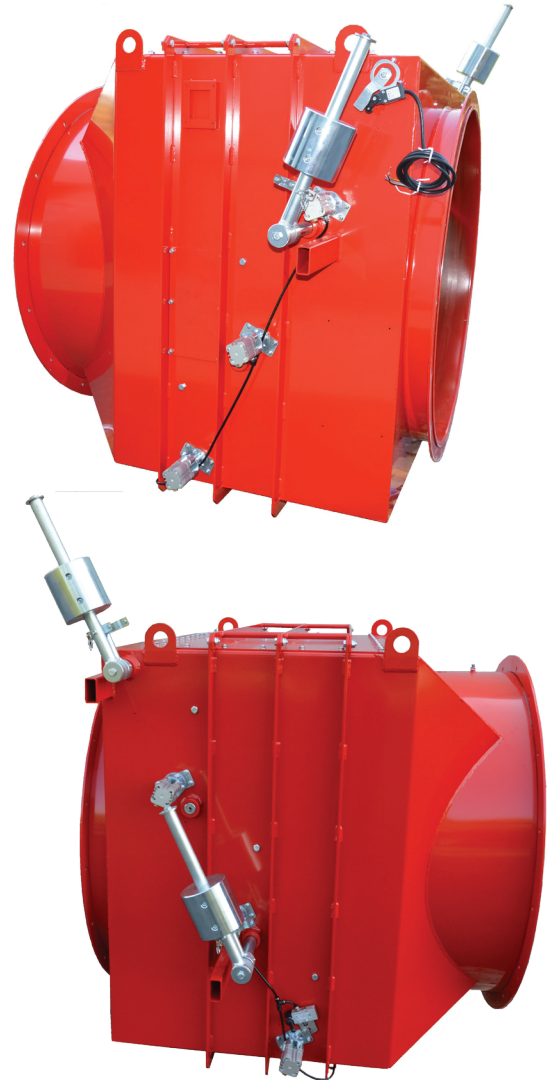
- ATEX Certified; NFPA 69 Compliant
- Heavy Duty Welded Steel Construction
- Epoxy Powder Coated Safety Red Finish
- Flanged Inlet and Outlet with Co-Flanges
- Grounding Lugs
- Locking Mechanism

### NRV Combo Rated for:

- Class ST 3 Applications
- Kst max: 325 bar m/s
- Pred max: 1.0 bar (4"-7") 0.6 bar (8"- 36") 0.5 bar (40"- 48")
- Certification EN 16447

### NRV Metal Rated for:

- Metallic and organic dusts
- Class ST 3 Applications
- Kst max: 400 bar m/s
- Pred max: 1.0 bar (8"-16") 0.6 bar (22")
- Certification EN 16447



### CERTIFICATIONS & STANDARDS

EN 16447

NFPA 69 Compliant

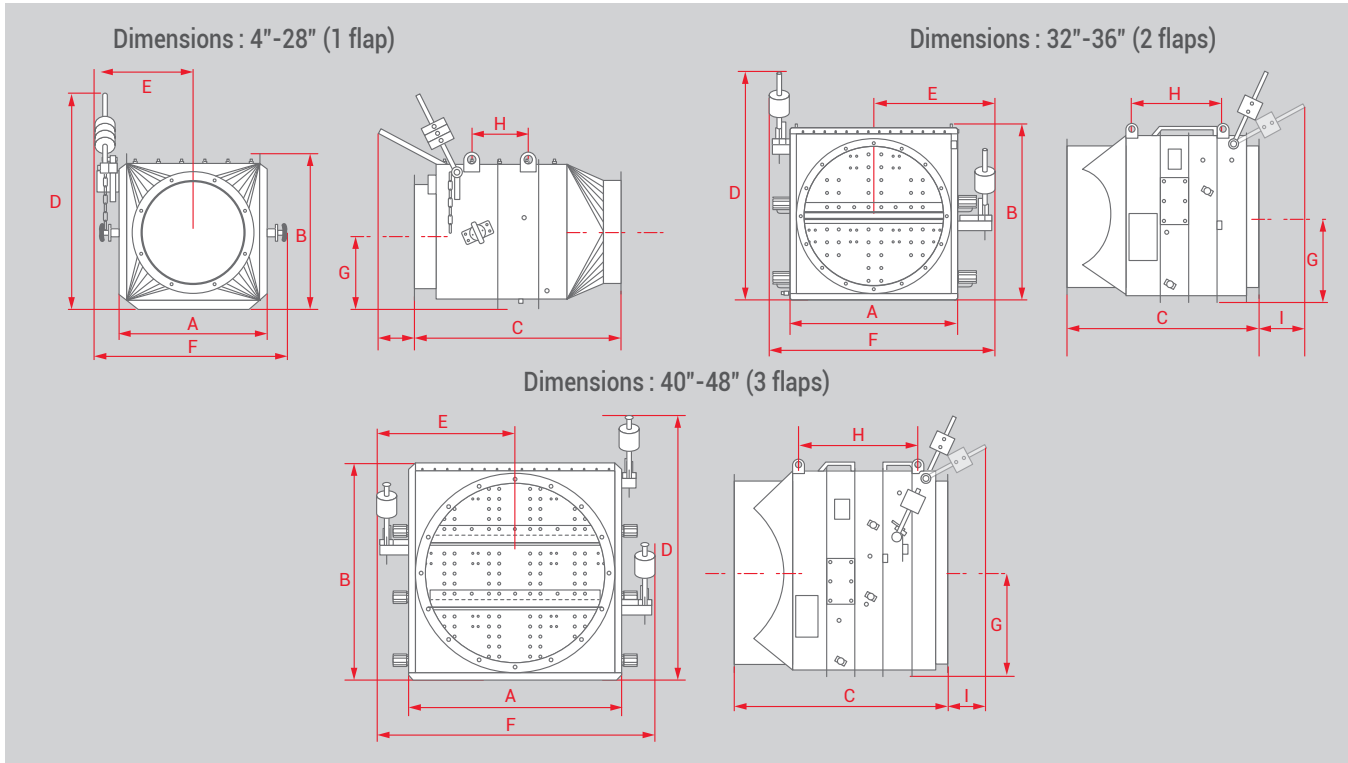


### NRV (Options Required for NFPA compliance)

- Microswitch mounted on **NRV** locking mechanism for automatic shutdown on an event. **ATEX Zone 21 and 22** are available on request.
- Adjustable Sensitivity Dust Level Sensor (capacitive) mounted on bottom of **NRV** for automatic shutdown when **0.15-0.20"** of dust has accumulated on bottom of NRV.
- **CP05** – UL labeled intrinsically safe control panel with "System OK" and "System Fault" indicator lights. Complies with **NFPA 69** and **OSHA, UL698A (INTRINSIC SAFETY) UL508A for USA and cUL508A for Canada**



# DIMENSIONS



## NO RETURN VALVE COMBO/METAL (NRVC/M) DIMENSIONS (SIZES 4" - 48")

Ø	A	B	C	D	E	F	G	H	I	LBS
<b>NRVC SIZES 4" - 7" RATED FOR : Class ST3 Applications – Kst max 325 bar m/s – Pred max 1.0 bar – Certification EN 16447</b>										
100mm/4"	5.9	7.3	16.3	-	6.7	13.4	3.0	-	-	22
125mm/5"	6.9	8.3	17.3	-	7.1	14.2	3.5	-	-	24
160mm/6"	8.3	9.6	18.7	-	7.9	15.7	4.1	-	-	29
180mm/7"	9.1	10.4	19.5	-	8.3	16.5	4.5	-	-	31
<b>NRVM SIZES 8" - 16", and 22" RATED FOR : Class ST3 Applications – Kst max 400 bar m/s – Pred max 1.0 bar – Certification EN 16447</b>										
200mm/8"	14.2	14.2	22.6	23.2	10.6	20.1	5.5	-	4.9	68
250mm/10"	16.1	16.1	24.6	25.2	11.6	22.0	6.5	-	4.9	84
300mm/12"	18.1	18.1	26.6	27.1	12.6	24.0	7.5	-	4.9	106
350mm/14"	20.1	20.9	28.5	29.1	13.6	26.0	8.5	7.7	4.9	128
400mm/16"	22.0	22.8	30.5	31.1	14.6	28.0	9.5	9.1	4.9	150
550mm/22"	28.0	28.7	37.0	41.9	18.3	34.6	13.6	13.4	10.0	254
<b>NRVC SIZES 18" - 48" RATED FOR : Class ST3 Applications – Kst max 325 bar m/s – Pred max 0.60 bar – Certification EN 16447</b>										
450mm/18"	24.0	24.8	32.5	38.2	16.3	30.7	11.6	13.4	10.0	194
500mm/20"	26.0	26.8	34.4	40.0	17.3	32.7	12.6	13.4	10.0	220
600mm/24"	29.9	30.7	38.4	43.9	19.3	36.6	14.6	17.1	10.0	287
650mm/26"	31.9	32.7	40.9	45.9	20.3	38.6	15.6	17.1	10.0	342
700mm/28"	33.9	34.6	42.3	47.8	21.2	40.6	16.5	17.1	10.0	388
800mm/32"	38.6	40.4	44.5	52.4	28.0	52.2	19.1	22.0	10.4	639
900mm/36"	42.5	44.5	48.4	56.3	29.9	56.1	21.1	26.2	10.2	739
1000mm/40"	46.4	48.2	47.8	60.0	31.9	63.6	23.0	24.0	10.2	893
1100mm/44"	50.4	52.2	51.0	64.0	33.9	67.5	25.0	28.3	10.2	1058
1200mm/48"	54.3	56.1	54.1	68.0	35.8	71.5	27.0	31.3	10.2	1179