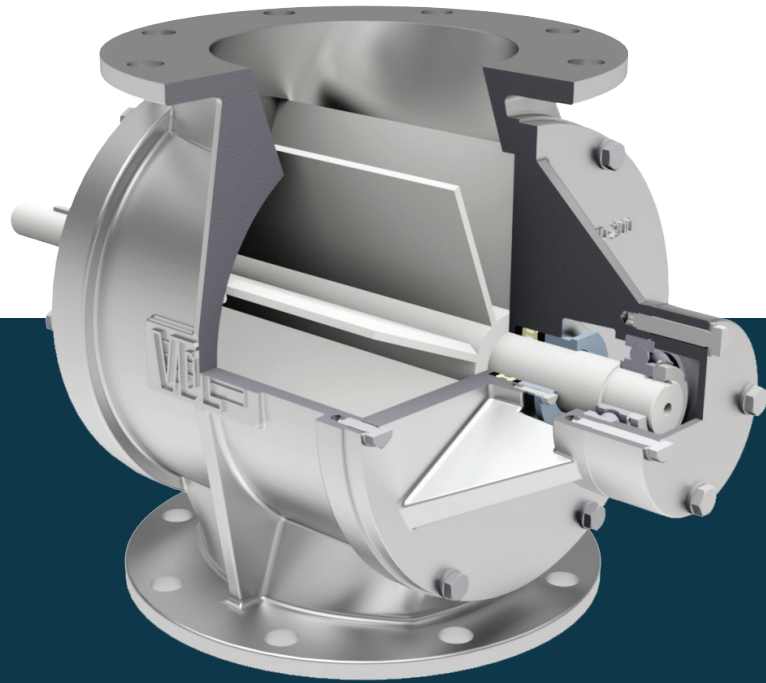


# BOSS Process™

PEOPLE. PARTNERSHIP. PERFORMANCE.

## Exceptional Rotary Valves for Every Application



- Pneumatic conveying valves, gravity flow, metering and high-pressure sealing
- Valves for dust collection and cyclones, low-and high-pressure
- Explosion Isolation NFPA 69 compliant valves



ISO 9001:2015  
CERTIFIED COMPANY

*PRI* Registrar  
PERFORMANCE RESEARCH INSTITUTE



**BOSS**  
PRODUCTS LLC

# MD SERIES

Ideal for feeding, metering and pneumatic conveying applications

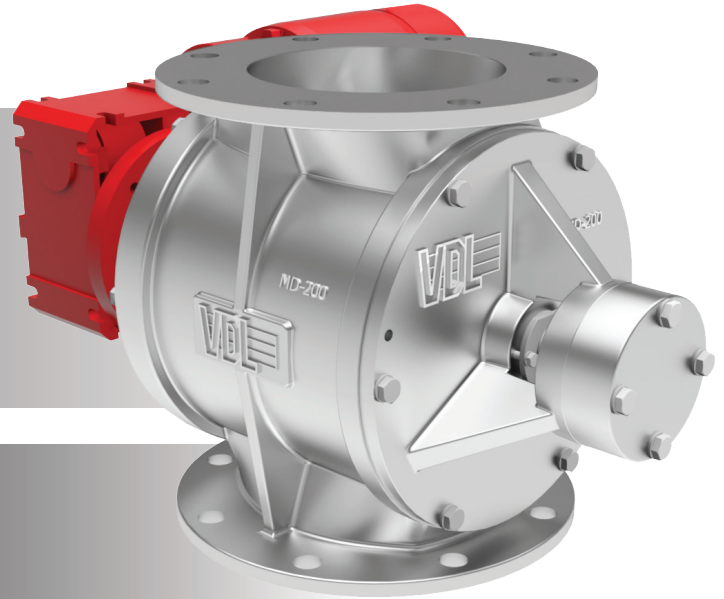
Sizes: 6", 8", 10" & 12"

## STANDARD FEATURES

- Manages differential pressure up to 15 PSI / 400" WC
- Shaft sealing with adjustable gland gasket
- Cast iron housing with flanged inlet/outlet
- Direct drive motor with gearbox
- 8 vane rotor with options for polyurethane tips, steel or stainless steel
- The Explosion version certified to withstand explosive pressures up to 36 PSI / 25 PSI (985" WC / 670" WC) with polyurethane tips

## OPTIONAL FEATURES

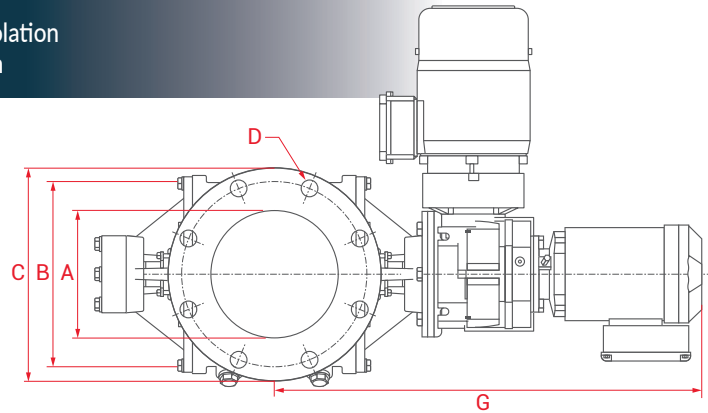
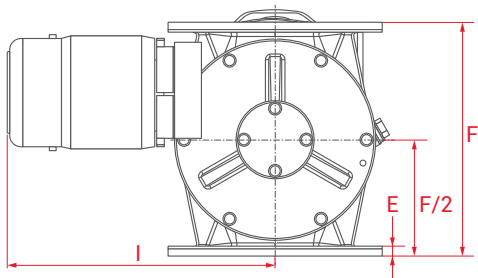
- Variable speed drive control option
- Nickel plating or chromium plating options
- Quick-clean valve housing design option



## CERTIFICATIONS & STANDARDS



- NFPA 69 Compliant - ATEX Certified EN 15089
- OSHA Compliant drive guard for the Explosion Isolation Model
- External bearing design, 8-vane rotary blade for the Explosion Isolation
- Certified to prevent flame passage for Passive Explosion Isolation



## DIMENSIONS \*

MODEL	15 RPM HP	30 RPM HP	CAPACITY FT <sup>3</sup> (LTR)	Ø A	Ø B	Ø C	D	E	F	G	H	I
MD150	0.50	0.75	0.10 (3)/rev	6" (150 mm)	9" (240 mm)	11" (285 mm)	8xØ23 mm	0.51" (13 mm)	10" (260 mm)		13" (330 mm)	14" (355 mm)
MD200	0.75	1.50	0.39 (11)/rev	8" (200 mm)	12" (300 mm)	13" (340 mm)	8xØ23 mm	0.51" (13 mm)	15" (370 mm)		16" (400 mm)	21" (525 mm)
MD250	1.00	1.00	0.74 (21)/rev	10" (250 mm)	14" (350 mm)	16" (395 mm)	12xØ23 mm	0.67" (17 mm)	17" (425 mm)	30" (770 mm)		
MD300	1.50	3.00	1.30 (37)/rev	12" (300 mm)	16" (400 mm)	18" (445 mm)	12xØ23 mm	0.79" (20 mm)	20" (500 mm)	33" (840 mm)		

Columns G, H and I depend on drive

\* Units in inches rounded to the closest whole number

# HTS SERIES

Ideal for dust collectors, cyclones, silos, hoppers, and specialized process applications

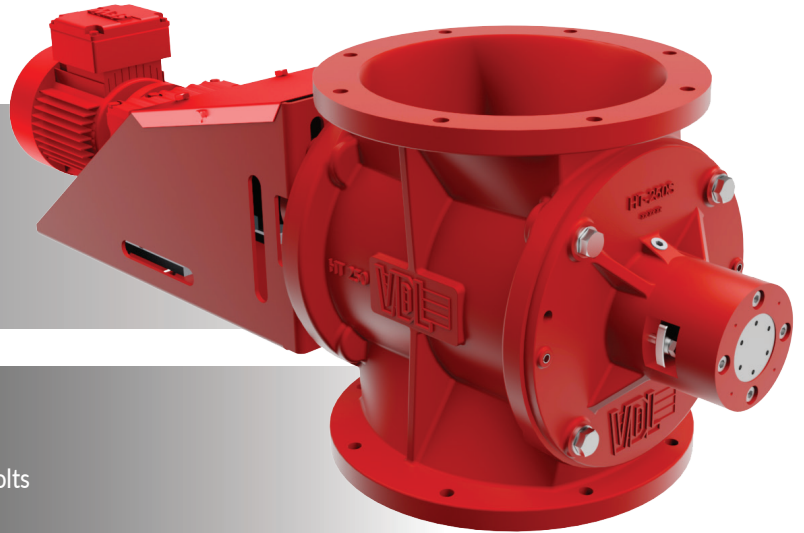
Sizes: 10" & 14"

## STANDARD FEATURES

- Cast iron housing with safety red finish EX version
- Explosion and Flame Proof design rated up to 25 PSI / 670" WC
- Airlock in high vacuum installations - applications up to 160" WC
- Direct drive gearmotor with flex coupling

## OPTIONAL FEATURES

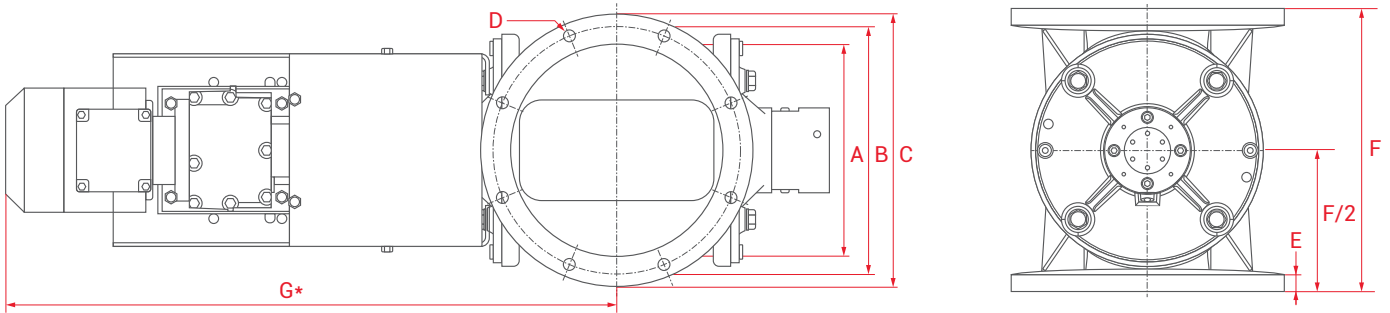
- Variable speed drive control option
- Square to round flange adapter including gasket and mounting bolts
- Quick-clean valve housing design option



## CERTIFICATIONS & STANDARDS



- NFPA 69 Compliant - ATEX Certified EN 15089
- OSHA Compliant drive guard for the Explosion Isolation Model
- External bearing design, 8-vane rotary blade for the Explosion Isolation
- Flex tip design certified to prevent flame passage for Passive Explosion Isolation

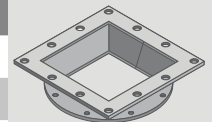


### DIMENSIONS\*

MODEL	15 RPM HP	30 RPM HP	CAPACITY FT <sup>3</sup> (LTR)	Ø A	Ø B	Ø C	D	E	F*	G
HTS250	0.33	0.75	0.24 (7)/rev	10" (250 mm)	12" (290 mm)	13" (320 mm)	8xØ12 mm	0.79" (20 mm)	13" (330 mm)	28" (710 mm)
HTS350	0.50	1.00	0.70 (20)/rev	14" (340 mm)	15" (390 mm)	17" (420 mm)	8xØ12 mm	0.79" (20 mm)	16" (400 mm)	33" (830 mm)

### SQUARE TO ROUND TRANSITIONS

SQUARE TRANSITION (Nominal Size Inches)	6X6	8X8	10X10	12X12	14X14
SRT	HTS250	HTS250	HTS250	HTS350	HTS350
Transition Height	2.84" (72 mm)	2.80" (71 mm)	2.80" (71 mm)	2.80" (71 mm)	2.80" (71 mm)
Overall Height (Dim F + Transition Height)	16" (402 mm)	16" (401 mm)	16" (401 mm)	19" (471 mm)	19" (471 mm)



\* Length varies dependent on motor selection – Units in inches rounded to the closest whole number



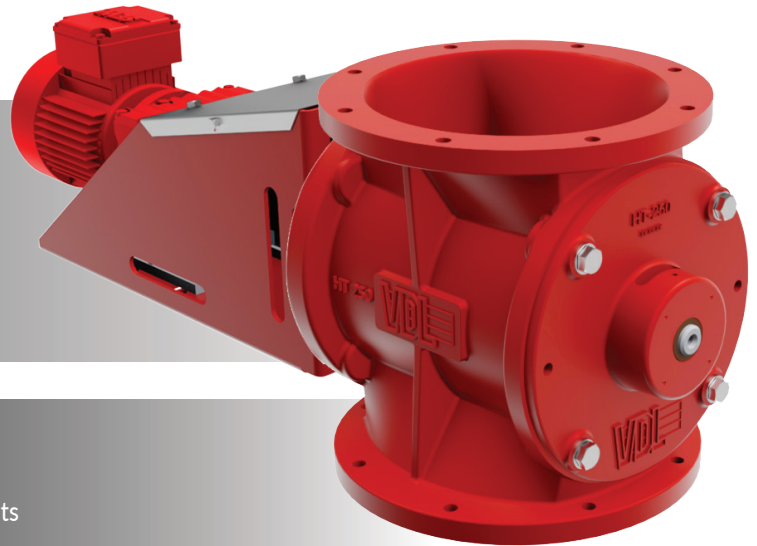
# HT SERIES

Feeder valve for screw conveyors, scales, dryers and coolers

## Sizes: 10", 14" & 18"

### STANDARD FEATURES

- Cast iron housing with safety red finish EX version
- Differential pressures up to 40" WC
- Direct drive gearmotor with flex coupling
- Airlock in dust collector and cyclone installations
- Explosion and Flame Proof design rated up to 25 PSI / 670" WC



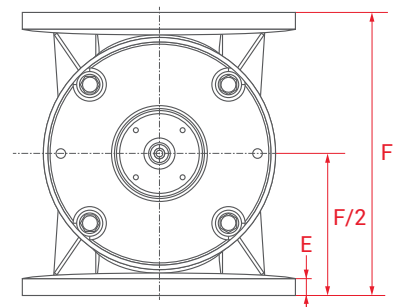
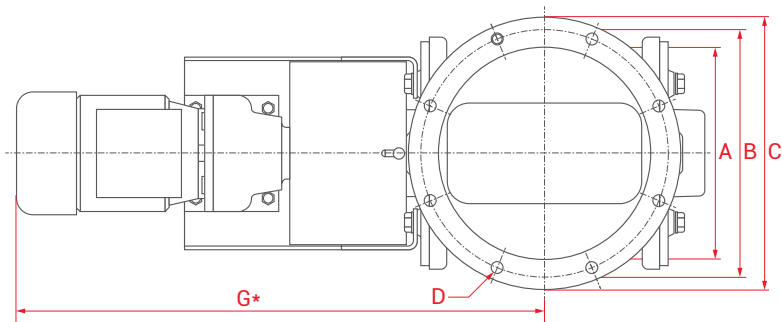
### OPTIONAL FEATURES

- Variable speed drive control option
- Square to round flange adapter including gasket and mounting bolts

### CERTIFICATIONS & STANDARDS



- NFPA 69 Compliant - ATEX Certified EN 15089
- OSHA Compliant drive guard for the Explosion Isolation Model
- Flex tip design certified to prevent flame passage for Passive Explosion Isolation

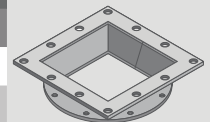


#### DIMENSIONS\*

MODEL	15 RPM HP	30 RPM HP	CAPACITY FT <sup>3</sup> (LTR)	Ø A	Ø B	Ø C	D	E	F*	G
HT250	0.33	0.75	0.24 (7)/rev	10" (250mm)	12" (290mm)	13" (320mm)	8xØ12mm	0.79" (20mm)	13" (330mm)	24" (620mm)
HT350	0.50	1.00	0.70 (20)/rev	14" (340mm)	15" (390mm)	17" (420mm)	8xØ12mm	0.79" (20mm)	16" (400mm)	26" (670mm)
HT450	1.00	2.00	1.23 (35)/rev	17" (420mm)	19" (490mm)	21" (525mm)	8xØ12mm	0.79" (20mm)	20" (500mm)	33" (850mm)

#### SQUARE TO ROUND TRANSITIONS\*

SQUARE TRANSITION(Nominal Size Inches)	6X6	8X8	10X10	12X12	14X14	16X16
SRT	HT250	HT250	HT250	HT350	HT350	HT450
Transition Height	2.84" (72mm)	2.80" (71mm)	2.80" (71mm)	2.80" (71mm)	2.80" (71mm)	3.43" (87mm)
Overall Height (Dim F + Transition Height)	16" (402mm)	16" (401mm)	16" (401mm)	19" (471mm)	19" (471mm)	23" (587mm)



\* Length varies dependent on motor selection – Units in inches rounded to the closest whole number

# BS SERIES

Ideal for wood applications

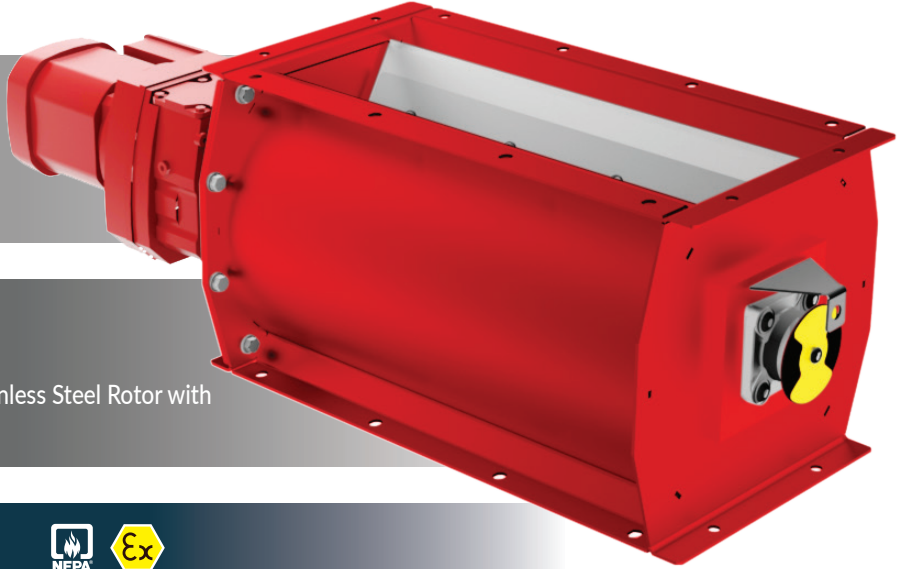
Sizes: 20"x20", 20"x30", 20"x40" & 20"x60"

## STANDARD FEATURES

- Differential pressures up to 28" WC
- Direct drive gearmotor with flex coupling
- Explosion and flame proof to 7.25 PSI / 201" WC

## OPTIONAL FEATURES

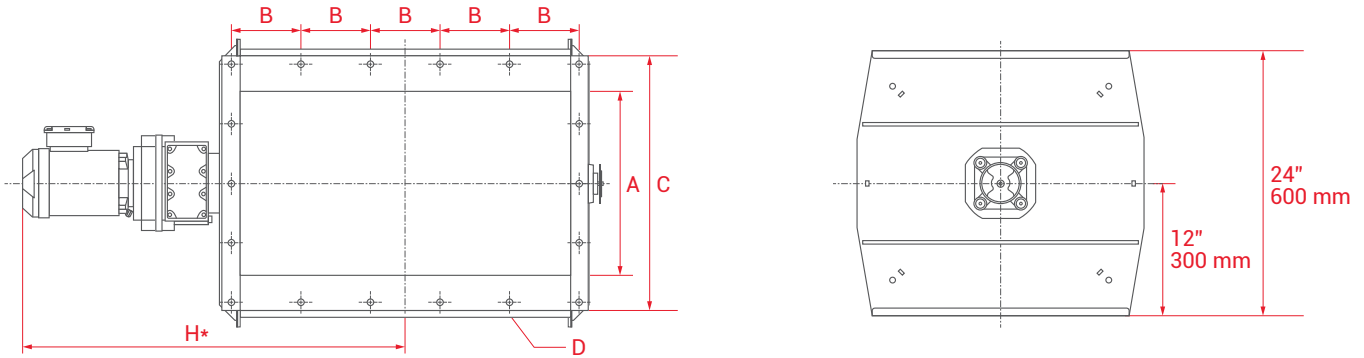
- Default: Steel with Neoprene Tip Rotor Blades
- Optional: Steel Rotor with Silicone Tip Blades or Stainless Steel Rotor with Polyurethane Tip Blades



## CERTIFICATIONS & STANDARDS



- NFPA 69 Compliant - ATEX Certified EN 15089
- OSHA Compliant drive guard for the Explosion Isolation Model
- External bearing design, 8-vane rotary blade for the Explosion Isolation
- Flex tip design certified to prevent flame passage for Passive Explosion Isolation



## DIMENSIONS \*

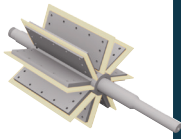
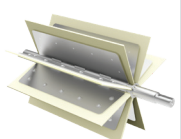

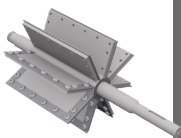
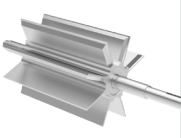
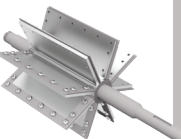
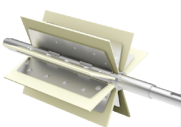
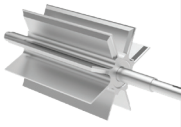
MODEL	15 RPM HP	22 RPM HP	CAPACITY FT <sup>3</sup> (LTR)	A	B	C	D	H
BS500	1.00		4.41 (125)/rev	20" x 20" (500 x 500mm)	0.16" x 5.30" (4 x 135mm)	23" x 23" (580 x 580mm)	16 x Ø10.5mm	30" (742mm)
BS750	1.00		6.64 (188)/rev	20" x 30" (500 x 750mm)	0.20" x 6.22" (5 x 158mm)	23" x 33" (580 x 830mm)	18 x Ø10.5mm	34" (867mm)
BS1000	1.50		8.83 (250)/rev	20" x 40" (500 x 1000mm)	0.31" x 5.12" (8 x 130mm)	23" x 43" (580 x 1080mm)	24 x Ø10.5mm	40" (997mm)

Available as BS, Rotary valve with explosion detector and control – Available as BS, Rotary valve only  
\* Length varies dependent on motor selection – Units in inches rounded to the closest whole number

# Rotors

Rotary Valve Rotors are available with a wide range of replaceable blades to handle just about any application. All listed Rotors are NFPA 69 Compliant for Explosion Isolation, this includes the Neoprene and Polyurethane Tip Rotor Blades.

PRODUCT CHARACTERISTICS		BLADE MATERIAL		
		POLYURETHANE	STEEL	STAINLESS STEEL
POWDERS	Not abrasive	X	X	X
	Abrasive	X		
	Sticky		X	X
	Corrosive			X
GRANULATES		X		
FIBROUS MATERIAL		X		

	MD SERIES	HT/HTS SERIES	BS SERIES
Polyurethane	 <p><b>MD: Steel</b> Polyurethane tips 8 vanes</p>	 <p><b>HT/HTS: Steel</b> Polyurethane tips 8 vanes</p>	 <p><b>BS: Steel</b> Neoprene tips 8 vanes</p>
Steel	 <p><b>MD: Steel</b> Steel tips 8 vanes</p>	 <p><b>HTS: Manganese Steel</b> Manganese Steel chamfered tips 8 vanes</p>	
Stainless Steel	 <p><b>MD: Stainless Steel</b> Stainless Steel tips 8 vanes</p>	 <p><b>HTS: Stainless Steel</b> Polyurethane tips 8 vanes</p>  <p><b>HTS: Stainless Steel</b> Stainless Steel chamfered tips 8 vanes</p>	

15 RPM AND 30 RPM MOTORS ARE AVAILABLE WITH SPEED CONTROLS

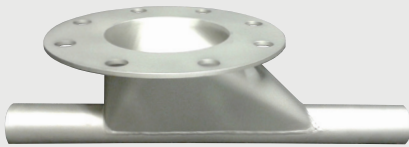


# Accessories

Accessories to maximize the effectiveness and safety of the valve.

## Discharge Blow-Through Adapter

Used to introduce metered product from the airlock into a pneumatic airstream. Stainless Steel construction available in diameters 2 $\frac{3}{8}$ "-6".



Tube diameter	MODEL			
	MD 150	MD 200	MD 250	MD 300
in.				
2 $\frac{3}{8}$	X			
3.0	X			
3.5	X	X		
4.0		X	X	
4 $\frac{1}{4}$		X	X	
4.5			X	X
5.5				X
6.0				X

## Insulation Boxes

Insulation boxes are available for applications requiring operation in extreme heat or cold conditions.



## Replacement Gaskets in EPDM & Silicone

Factory precision cut gasketing is available in EPDM or Silicone.



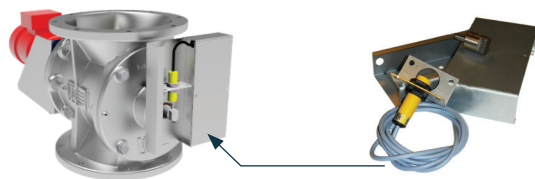
## Special Sanitary designs

Quick-clean valve housing design options - MD & HTS only.



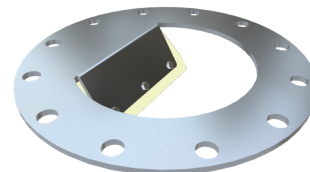
## Speed Sensors

Detects rotor RPM for speed control.



## Capacity Limiter with Polyurethane Blade

Prevents the overfilling of the rotor chamber. Helps prevent product damage.



## Air Purge Seal Kit

Creates an overpressure which keeps abrasive powders out of bearings & seals.



# BOSS Process™

PEOPLE. PARTNERSHIP. PERFORMANCE.



Boss Process™ is the Exclusive North American distributor of  VDL INDUSTRIAL PRODUCTS

## HERE TO SUPPORT OUR PARTNERS:

Professional staff to provide technical support for your sales and installation questions.

### Qualifying questions:

- Materials?
- System needs overview?
- Pressure requirements?

Craig Equipment Company

13055 MIDDLETOWN INDUSTRIAL BLVD, LOUSBILLE, KY 40223  
TF:800-928-7100 • T:502-245-4840 • F:502-245-1665 [craig-equip.com](http://craig-equip.com)

